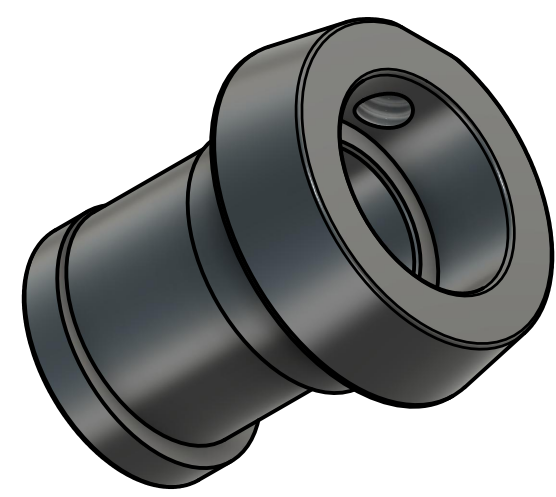
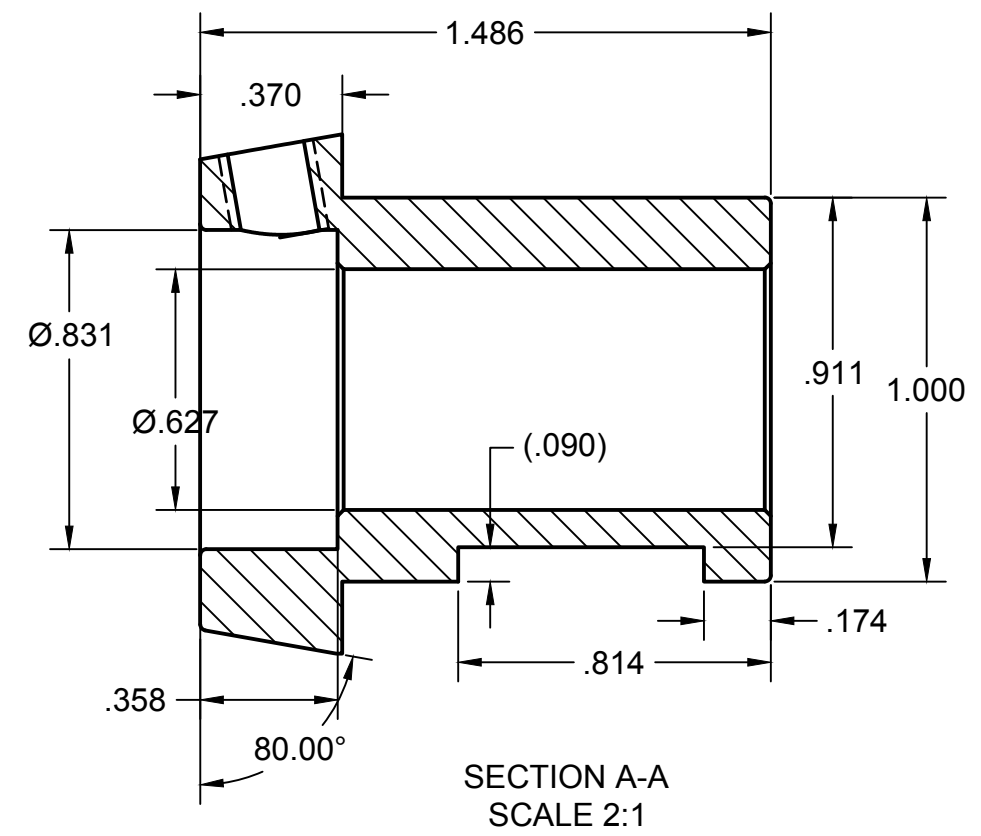


NOTE:
 MILL FLAT
 DRILL & TAP
 1/4-20 UNC
 - Position can be determined by user
 for best placement on their machine



NOTES:
 - MAT'L - C.R. STEEL or TOOL STEEL
 - 1 Req'd
 - Break sharp edges

THE AMATEUR MACHINE SHOP	PROJECT Quick Change Lathe Tool Holder			
	TITLE Post Cam			
APPROVED	SIZE	CODE	DWG NO	REV
CHECKED	B			
DRAWN	P. Giesbrecht	4/20/2019	SCALE 1.5:1	WEIGHT
				SHEET 1/1