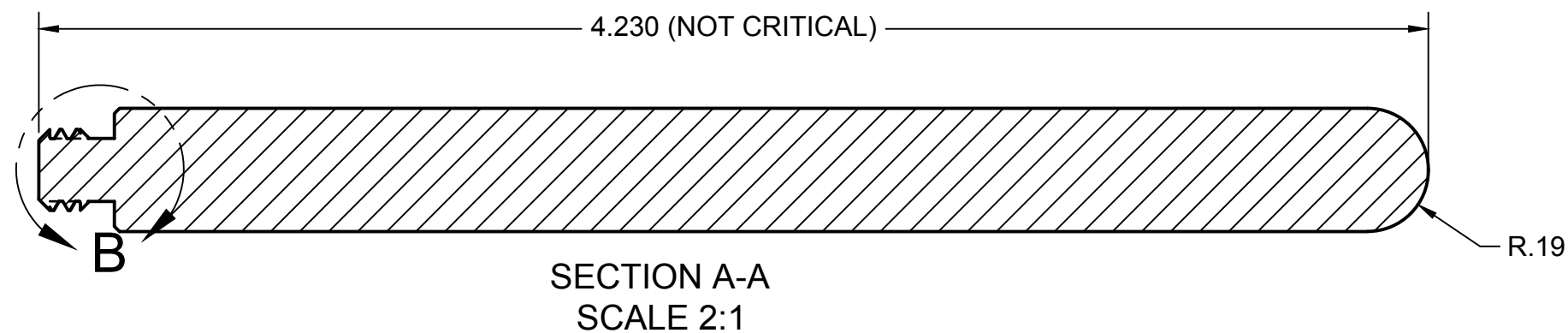
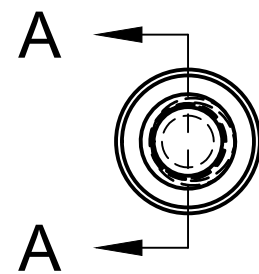


DETAIL B
SCALE 3:1



SECTION A-A
SCALE 2:1

THE AMATEUR MACHINE SHOP	PROJECT Quick Change Lathe Tool Holder			
	TITLE Swivel Bar			
APPROVED	SIZE	CODE	DWG NO	REV
CHECKED	B			
DRAWN P. Giesbrecht 4/20/2019	SCALE 2:1	WEIGHT	SHEET 1/1	