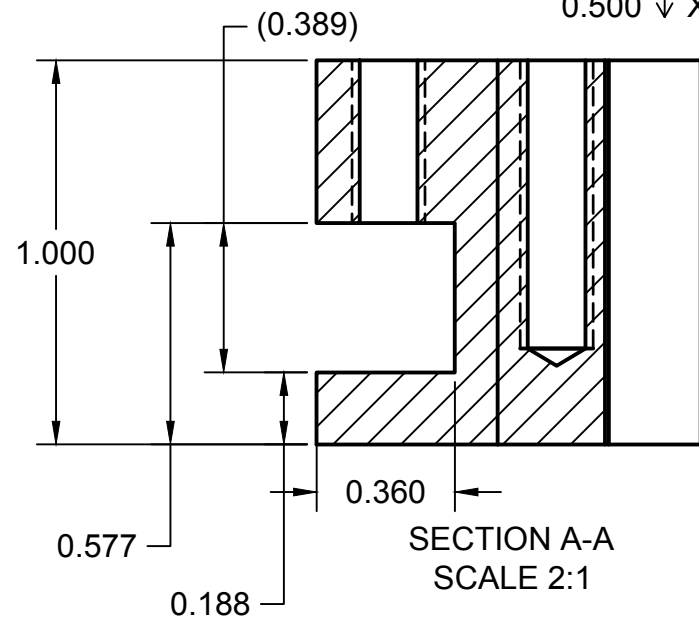
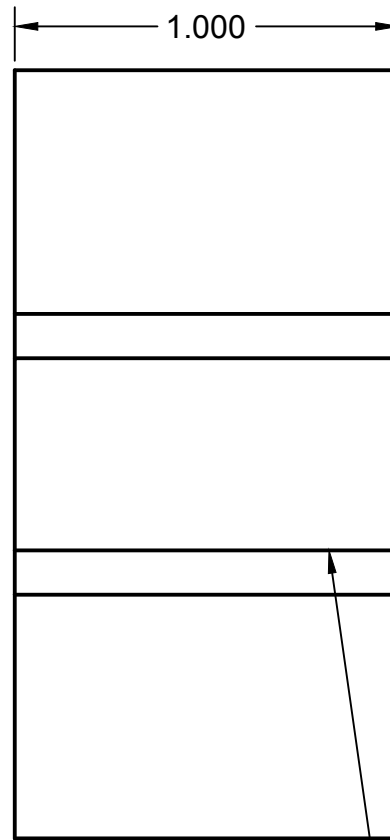


Drill & Tap
10-24 UNC
0.75 ∇

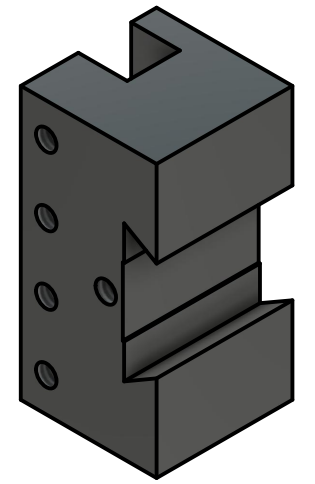
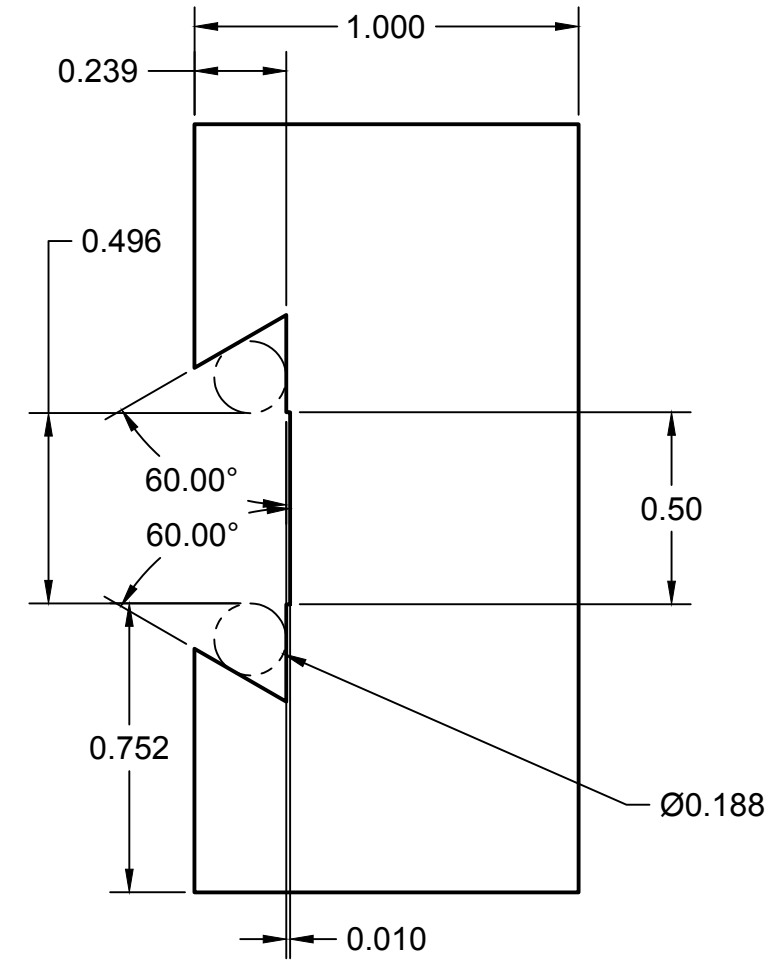
Drill & Tap
10-24 UNC
0.500 ∇ X4



SECTION A-A
SCALE 2:1



Relieve center surface
do reduce contact area
(not critical)



- NOTES:
 - MAT'L - C.R. STEEL
 or TOOL STEEL
 - HEAT TREAT Optional
 - QTY - 4 +

THE AMATEUR MACHINE SHOP	PROJECT Quick Change Lathe Tool Holder			
	TITLE Tool Holder			
APPROVED	SIZE	CODE	DWG NO	REV
CHECKED	B			
DRAWN	P. Giesbrecht	4/20/2019	SCALE 1:1	WEIGHT
			SHEET 1/1	