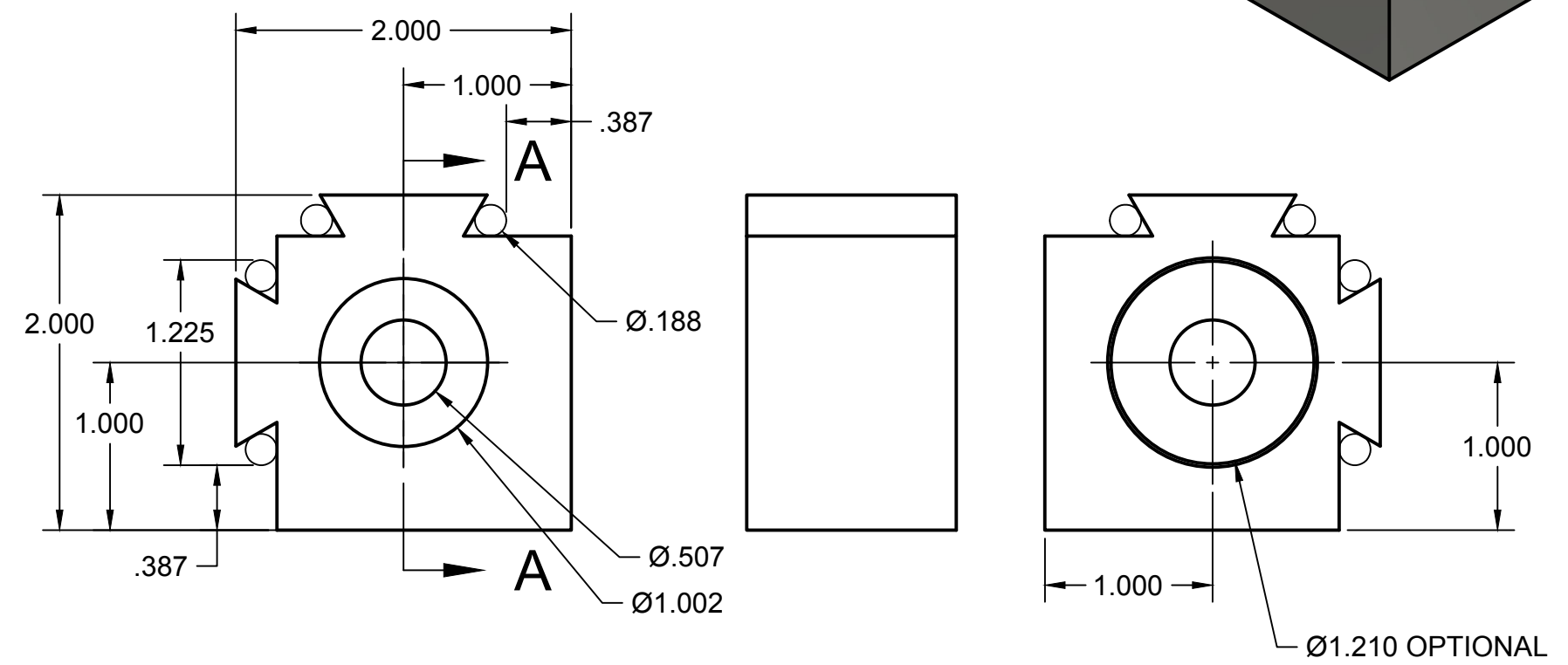


SECTION A-A  
SCALE 1:1

Groove is optional  
Spring wasn't required  
to make clamping work.

- NOTES:
- Material : C.R. Steel or Tool Steel
  - Heat Treat optional
  - Groove and bottom faced area optional
  - Break all sharp corners



<b>THE AMATEUR MACHINE SHOP</b>	PROJECT			
	<b>Quick Change Lathe Tool Holder</b>			
	TITLE			
	<b>Tool Post</b>			
APPROVED	SIZE	CODE	DWG NO	REV
CHECKED	B			
DRAWN	P. Giesbrecht	4/19/2019	SCALE 1:1	WEIGHT
				SHEET 1/1