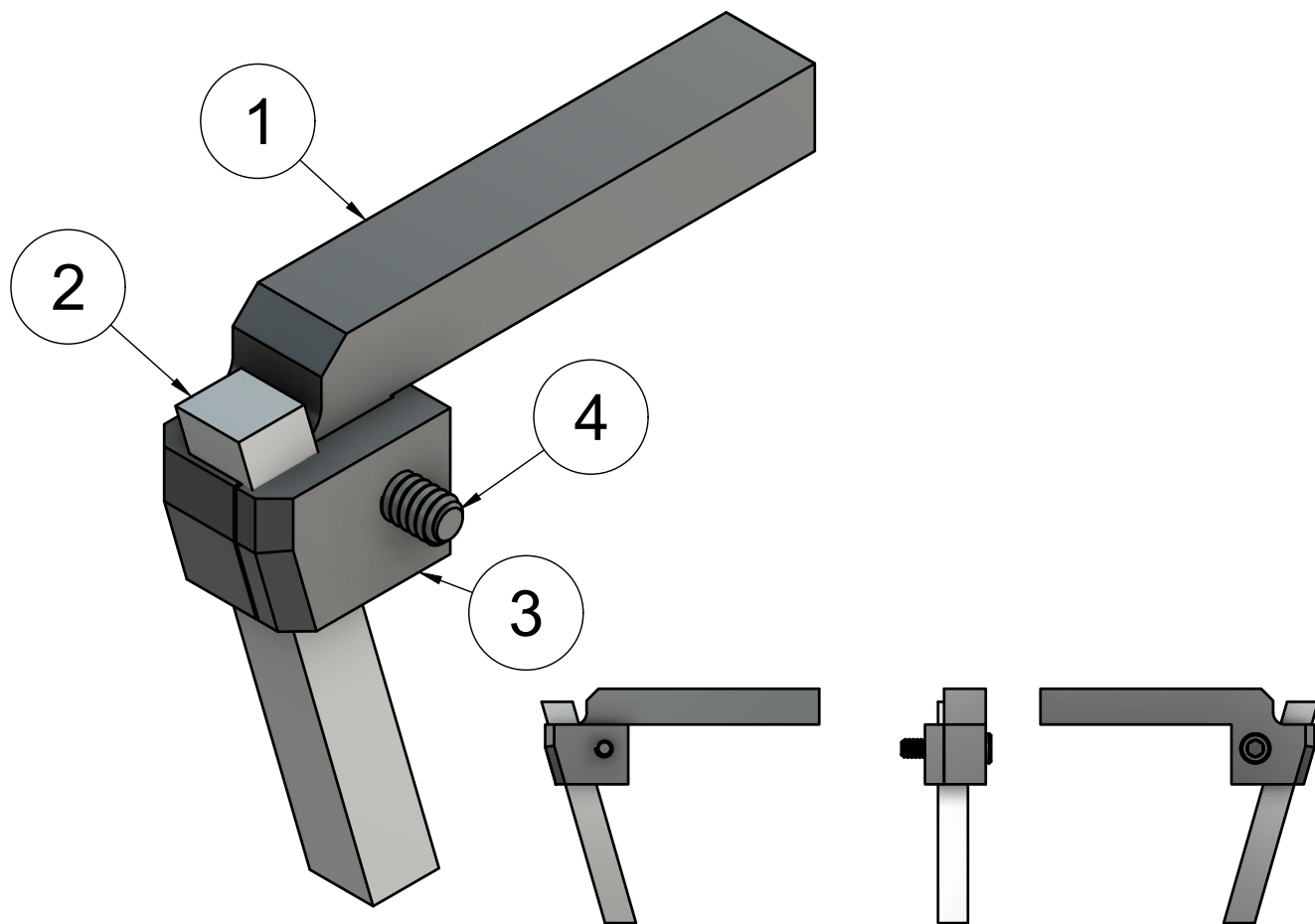


PARTS LIST

ITEM	QTY	PART NUMBER	DESCRIPTION	MATERIAL
1	1	TANGENTIAL TOOL 1 - 5/16		STEEL
2	1	5/16 TOOL 1 - CLAMP		STEEL
3	1	10-24 SHCS		STEEL
4	1	5/16 HSS BIT2		STEEL



* 10-24 X $\frac{3}{4}$ SHCS Shown



PROJECT

Tangential Lathe Tool

TITLE

Tangential Tool 1 - 5/16 ASSM

APPROVED	SIZE	CODE	DWG NO	REV
CHECKED	A			
DRAWN	Pedro Giesbrecht 8/24/2020	SCALE 1.5:1	WEIGHT	SHEET 1/1