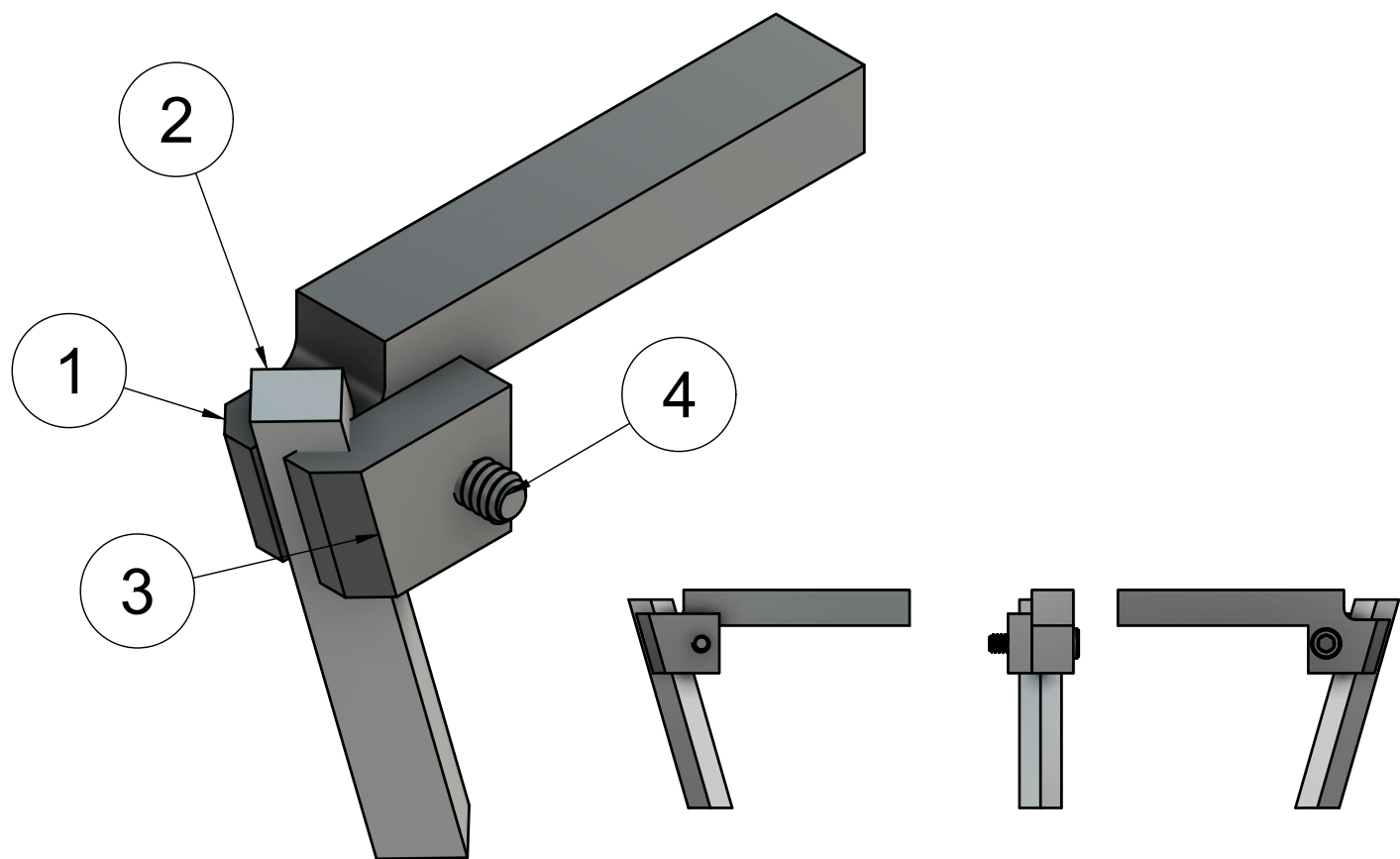


PARTS LIST

ITEM	QTY	PART NUMBER	DESCRIPTION	MATERIAL
1	1	TANGENTIAL TOOL 2 - 5/16		STEEL
2	1	5/16 HSS BIT		STEEL
3	1	5/16 TOOL 2 - CLAMP		STEEL
4	1	10-24 SHCS		STEEL



\* 10-24 X  $\frac{3}{4}$  SHCS Shown



PROJECT  
**Tangential Lathe Tool**

TITLE  
**Tangential Tool 2 - 5/16 ASSM**

APPROVED	SIZE	CODE	DWG NO	REV
CHECKED	A			
DRAWN	Pedro Giesbrecht 8/24/2020	SCALE 1:2	WEIGHT	SHEET 1/1